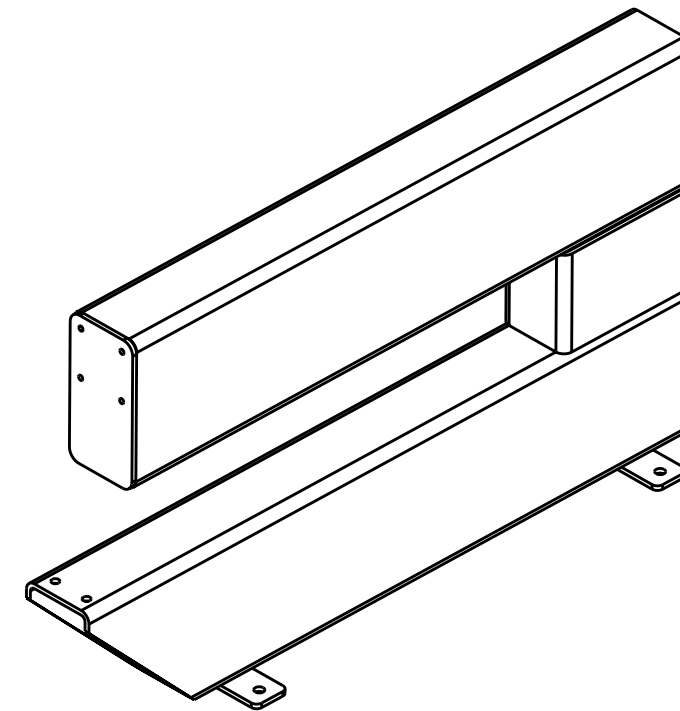
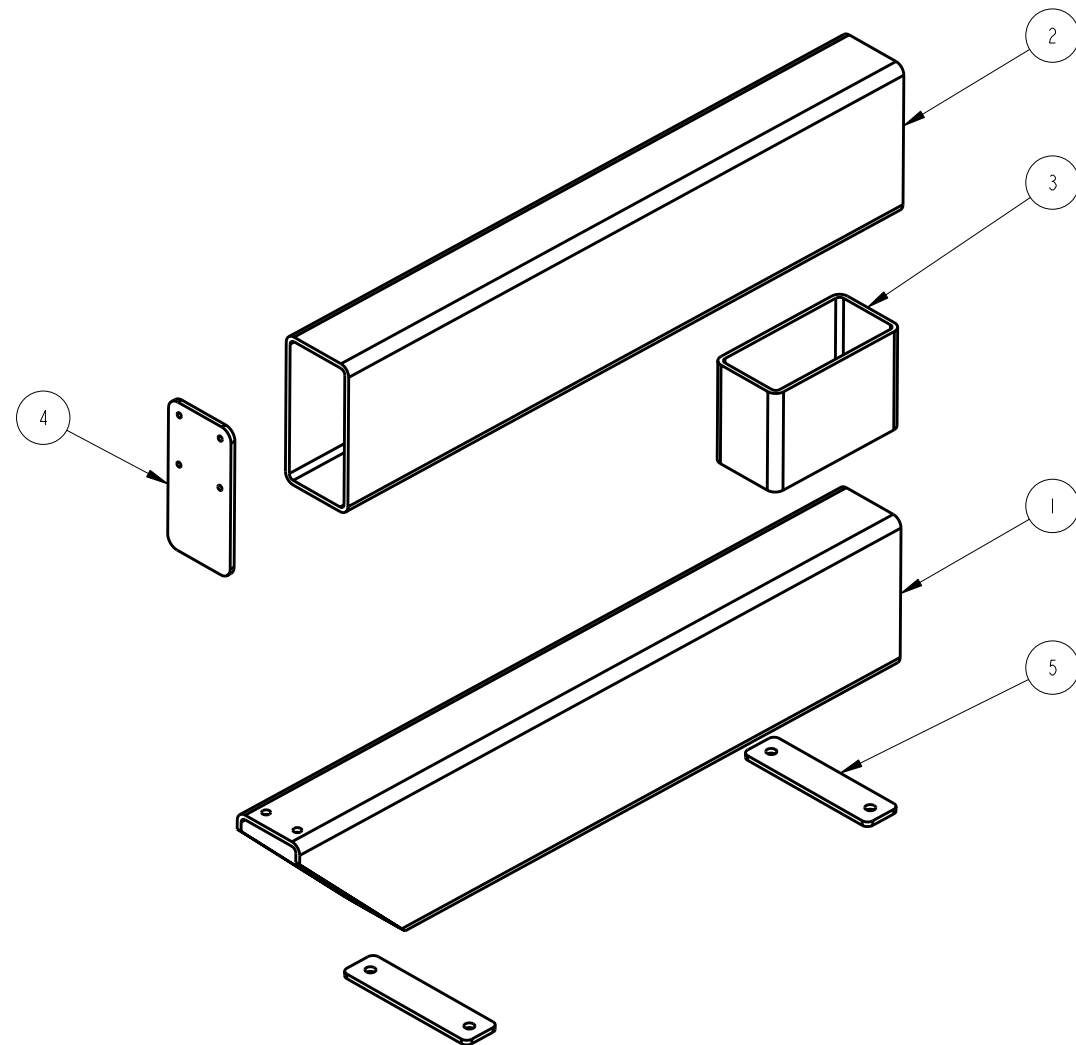


REVISION HISTORY			
REV	DESCRIPTION	DATE	APPROVED
00	INITIAL RELEASE	02/08/04	P.MEREMS
01	CORRECTED MATERIAL CALLOUT IN ITEM 3	01/18/05	P.MEREMS



NOTES: UNLESS OTHERWISE SPECIFIED.

6. NO TWIST IS ALLOWED BETWEEN THE UPPER AND LOWER BEAM AFTER WELDING.

5. HOLE PATTERN CENTERED ON COMPONENT.

4. BREAK ALL SHARP EDGES.

3. DEBUR ALL HOLES.

2. FINISH: NO WELD SPATTER

1. MATERIAL: 6"X3"X3/16" RETANGULAR STEEL TUBING, 59" TOTAL LENGTH, 3/16"X1 1/2"X12" STEEL PLATE, 3/16"X3"X6" STEEL PLATE.

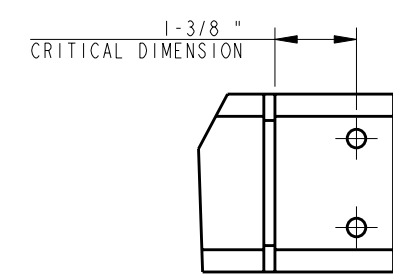
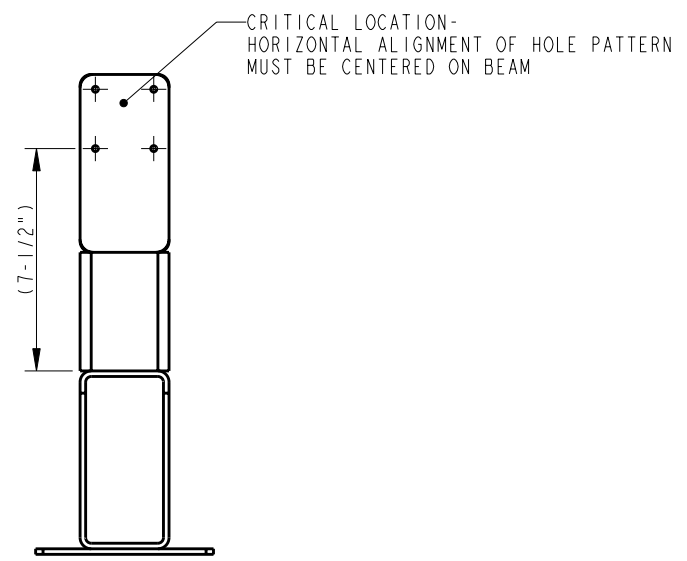
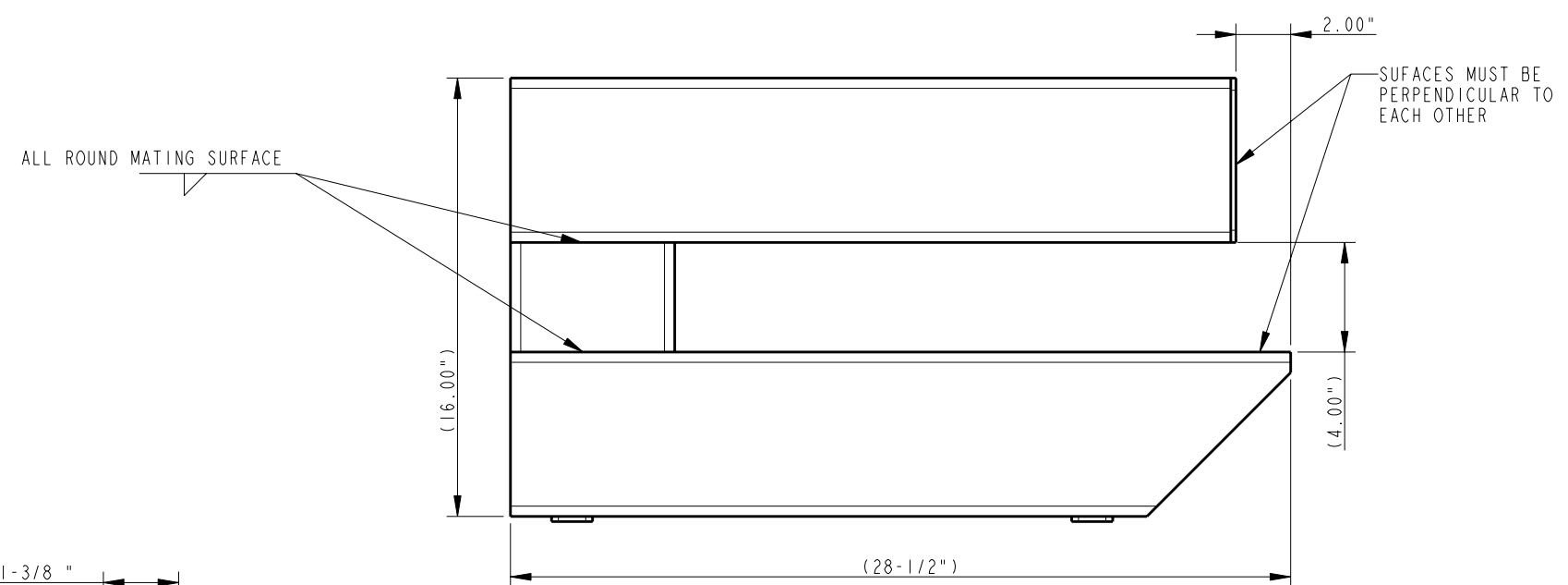
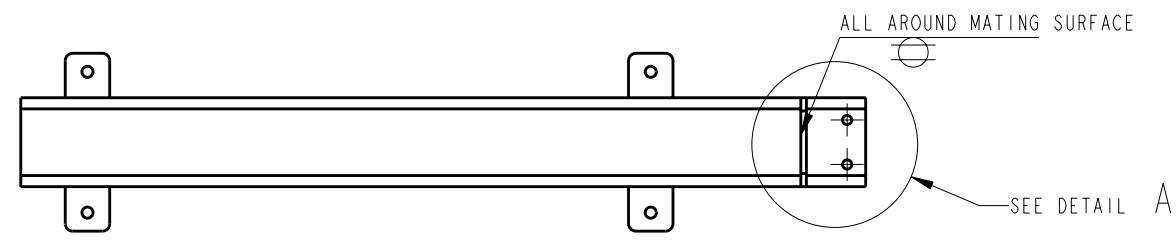
ITEM	QTY	PART NUMBER	DESCRIPTION
5	2	DRDT-2_FA-5	PLATE, FOOT, DRDT-2 (6"X1 1/2"X3/16")
4	1	DRDT-2_FA-4	PLATE, CLAMP MOUNT, DRDT-2 (6"X3"X3/16")
3	1	DRDT-2_FA-2	BEAM, VERTICAL, DRDT-2 (6"-3"-3/16"X4")
2	1	DRDT-2_FA-3	BEAM, UPPER, DRDT-2 (6"-3"-3/16" X26 5/16")
1	1	DRDT-2_FA-1	BEAM, LOWER, DRDT-2 (6"-3"-3/16" X28 1/2")

PARTS LIST			
DIMENSIONS INCHES		ExperimentalAero www.experimentalaero.com 12351 E. LOU BOCK PL. TUCSON, AZ 85749 TEL: (520)-760-7115 EMAIL: INFO@EXPERIMENTALAERO.COM	
TOLERANCES (EXCEPT AS NOTED) .XX ± .010 .XXX ± .005 FRACTIONAL ± 1/16" ANG ± 0°30'			
THIRD ANGLE PROJECTION		ASS'Y, FRAME, DRDT-2, 22"	
MATERIAL: SEE NOTES		SIZE A2	REV 01
FINISH: SEE NOTES		DWG NO DRDT-2_FA	
DRAWN BY: P.MEREMS		SCALE: 0.25	SHEET 1 OF 3

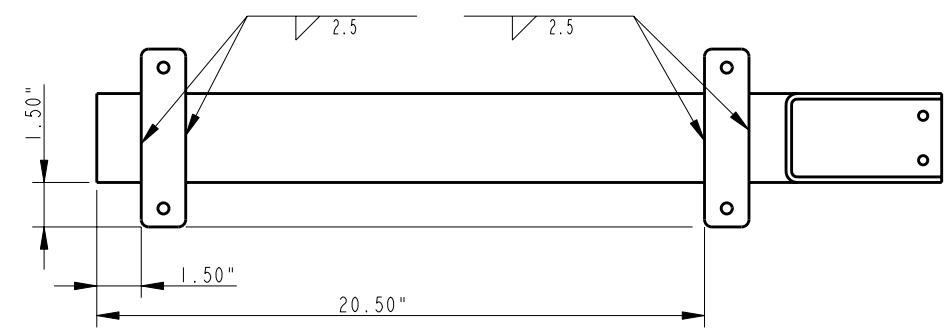
PROPRIETARY RIGHTS ARE INCLUDED IN ALL THE INFORMATION DISCLOSED HEREIN. THIS INFORMATION IS SUBMITTED IN CONFIDENCE, AND NEITHER THIS DOCUMENT NOR THE INFORMATION DISCLOSED HEREIN SHALL BE REPRODUCED OR TRANSFERRED TO ANY OTHER DOCUMENTS, NOR SHALL IT BE USED OR DISCLOSED TO ANY PERSONS FOR MANUFACTURING OR ANY OTHER REASONS EXCEPT AS SPECIFICALLY AUTHORIZED IN WRITING BY EXPERIMENTALAERO. COPYRIGHT 2003 EXPERIMENTALAERO

DWG NO DRDT-2_FA
REV 01

REVISION HISTORY			
REV	DESCRIPTION	DATE	APPROVED
SEE SHEET 1			



DETAIL A
SCALE 0.500

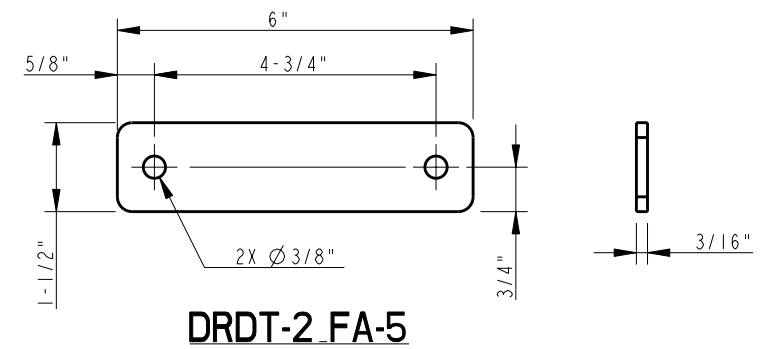


PROPRIETARY RIGHTS ARE INCLUDED IN ALL THE INFORMATION DISCLOSED HEREIN. THIS INFORMATION IS SUBMITTED IN CONFIDENCE, AND NEITHER THIS DOCUMENT NOR THE INFORMATION DISCLOSED HEREIN SHALL BE REPRODUCED OR TRANSFERRED TO ANY OTHER DOCUMENTS, NOR SHALL IT BE USED OR DISCLOSED TO ANY PERSONS FOR MANUFACTURING OR ANY OTHER REASONS EXCEPT AS SPECIFICALLY AUTHORIZED IN WRITING BY EXPERIMENTAL AERO. COPYRIGHT 2003 EXPERIMENTAL AERO.

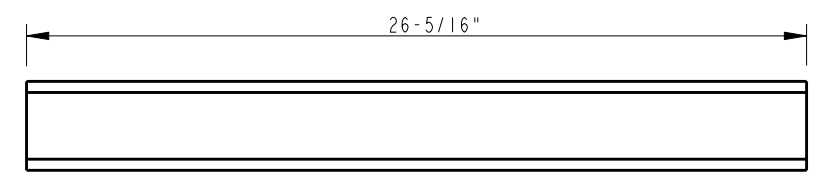
EXPERIMENTAL AERO www.experimentalaero.com	12351 E. LOU BOCK PL. TUCSON, AZ 85749 TEL: (520) 760-7115 EXPERIMENTAL AERO.COM	SIZE	DWG NO	REV
		A2	DRDT-2_FA	01
SCALE: 0.25		SHEET 2 OF 3		

REV 01
 SH 2
 DWG NO DRDT-2_FA

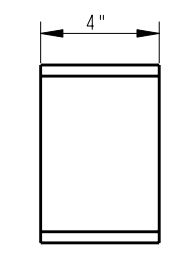
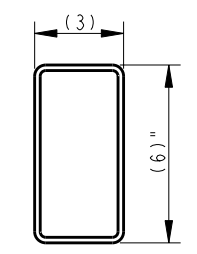
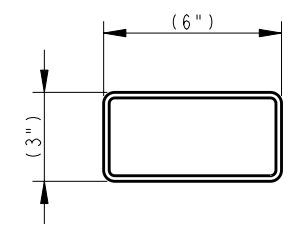
REVISION HISTORY			
REV	DESCRIPTION	DATE	APPROVED
SEE SHEET 1			



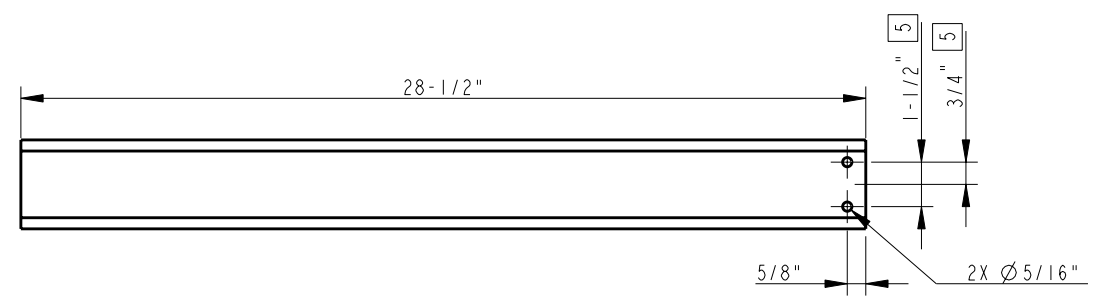
DRDT-2 FA-5



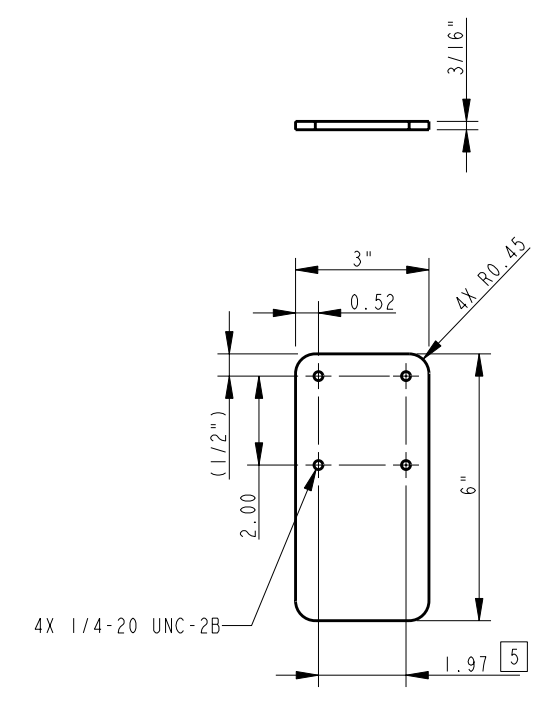
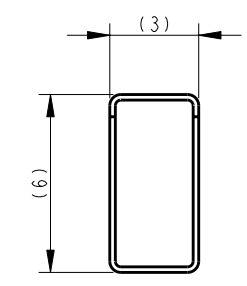
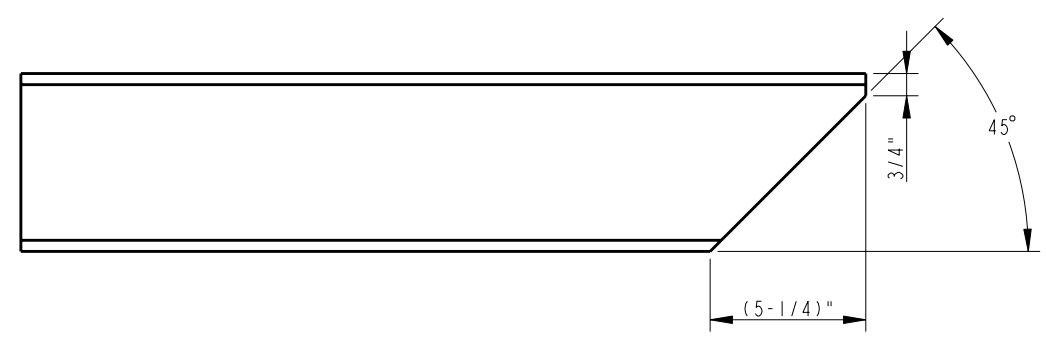
DRDT-2 FA-3



DRDT-2 FA-2



DRDT-2 FA-1



DRDT-2 FA-4

PROPRIETARY RIGHTS ARE INCLUDED IN ALL THE INFORMATION DISCLOSED HEREIN. THIS INFORMATION IS SUBMITTED IN CONFIDENCE, AND NEITHER THIS DOCUMENT NOR THE INFORMATION DISCLOSED HEREIN SHALL BE REPRODUCED OR TRANSFERRED TO ANY OTHER DOCUMENTS, NOR SHALL IT BE USED OR DISCLOSED TO ANY PERSONS FOR MANUFACTURING OR ANY OTHER REASONS EXCEPT AS SPECIFICALLY AUTHORIZED IN WRITING BY EXPERIMENTAL AERO. COPYRIGHT 2003 EXPERIMENTAL AERO.

EXPERIMENTAL AERO	12351 E. LOU BOCK PL. TUCSON, AZ 85749 TEL: (520) 760-7115 EXPERIMENTAL AERO.COM	SIZE A2	DWG NO DRDT-2_FA	REV 01
		SCALE: 0.30	SHEET 3 OF 3	

DWG NO DRDT-2_FA
 SH 3
 REV 01